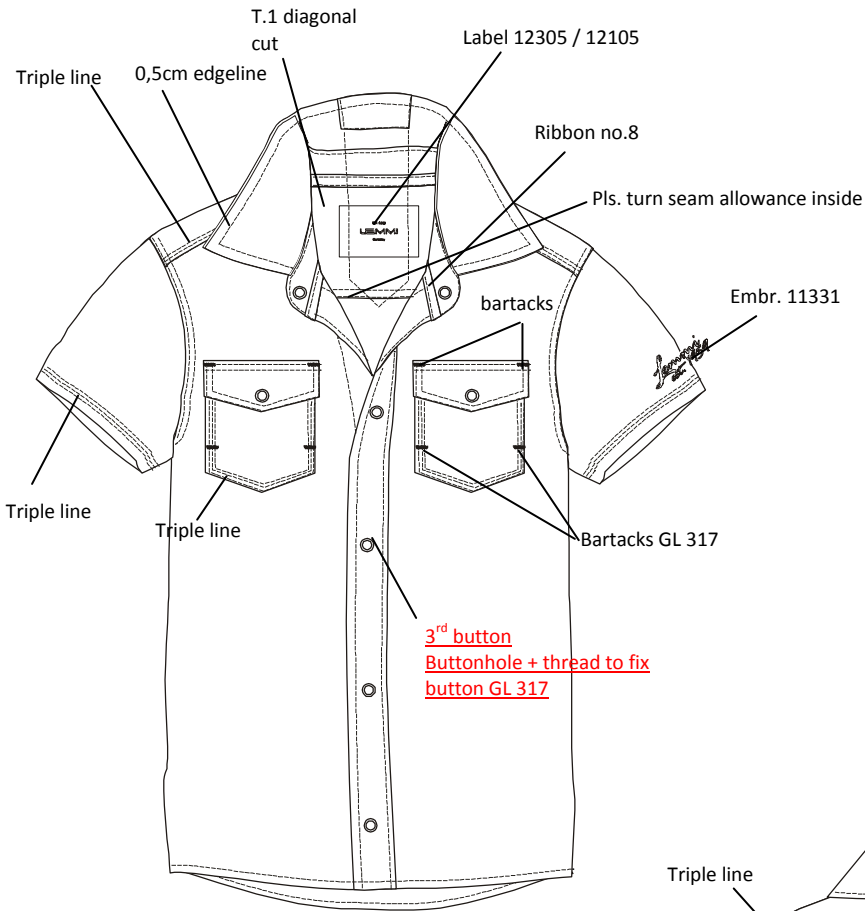
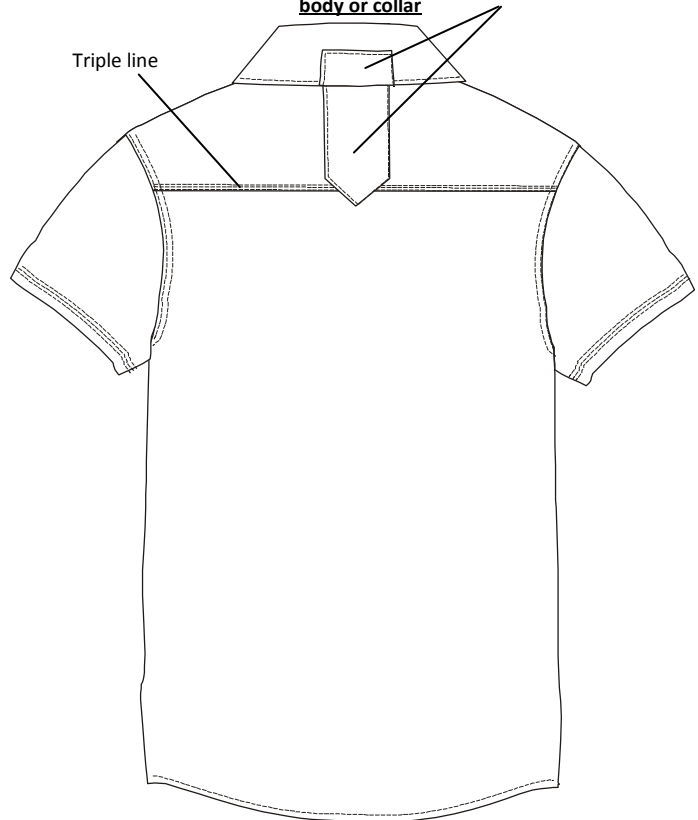


T/S original		Susi	Season:	Spring 2012 coll.121	Date:	16.06.2011	Prod. place:	V 3	
Group:	Boys	shirts	Treatment	Garment wash			Sample size	140/104	
Style:	6800530				Size range			128-176	
Style:	6300150		Attention:	Pls. don't iron after washing			Size range	80-122	
Art.:	658				Check should only match in center front			Page:	1
	check								



This part should be fixed after you add the collar – it is one pcs which starts on boyd and continues on collar
 Pls. take car that check **does not match to body or collar**



T/S original		Susi	Season:	Spring 2012 coll.121	Date:	16.06.2011	Prod. place:	V 3		
Group:	Boys	shirts	Treatment	Garment wash				Sample size	140/104	
Style:	6800530							Size range	128-176	
Style:	6300150		Attention:	Pls. don` t iron after washing				Size range	80-122	
Art.:	658							Check should only match in center front	Page:	2
check										

Material:	Art.	Position:	Col.	1	2	3	Quan.
Shell mat'l:	658	All parts except following trim. parts		865			
trimming 1: diagonal cutting	658	Inner and outer back yoke		865			
trimming 2:							
trimming 3:							
Fuselining:		---					
Ribbon:	009	For shoulder seams inside	L-	100			
Ribbon no.8	1cm	On top of complete neckholeseam inside	L-	865			
Label size 140	12350	Upper back inside	L-	300			1
Label size 104	12350	Upper back inside	L-	300			1
Embr. 100% 140	11331	Left sleeve, 1cm above hem versewing	L-	865			1
Embr. 80% 104	11331	Left sleeve, 1cm above hem versewing	L-	865			1

Accessories:	Quality / col.	Position:	Col.	1	2	3	Quan.
Zipper	---						
Zipper	---						
Buttons Lemmi	18# - pcs. see P/T	Front, pkt. flaps		Color as coll.112			
Woven neckhole label	---						
Size label	1 pc.	Back neckhole seam	L-	190			1
RFID-Label	LEMMI	Fixed at size label, RFID-Label laying outside at front					1
Hangtag salesmen sample	LEMMI	Fixed at let side seam inside, outside not visible					1
add. hangtag	---						
Seaming	402 col. match.						
Oversewing	402 GL col. match			match			
Oversewing	402 GL col. 317	For 3 rd button and buttonhole, bartacks on pkts.		317			
Flatlock stitch.	---						
Point-stitch.	---						
Overlocking	col. match.						
Bartacks	402 see oversewing			317			
Washing label LEMMI Fashion Art. 658	Add no. 7		washing chlorinate tumbler ironing dry-cleaning Art. 658				

T/S original		Susi	Season:	Spring 2012 coll.121	Date:	16.06.2011	Prod. place:	V 3	
Group:	Boys	shirts	Treatment	Garment wash				Sample size	140/104
Style:	6800530		Attention:	Pls. don't iron after washing Check should only match in center front				Size range	128-176
Style:	6300150							Size range	80-122
Art.:	658							Page:	3
	check								



Motiv: 11331	Kind: embroidery
Size: original	Enlarge to: ---
Colourno.: ---	Style:

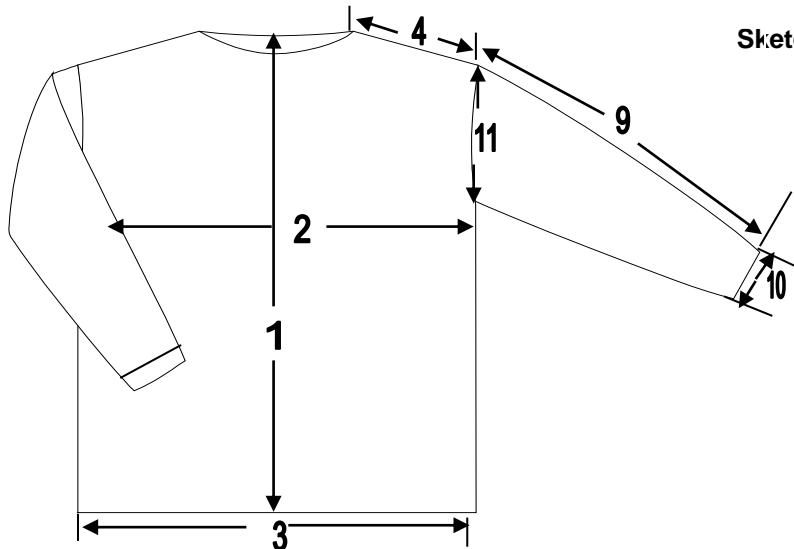
5,5 cm

Lemmi
est. 1959

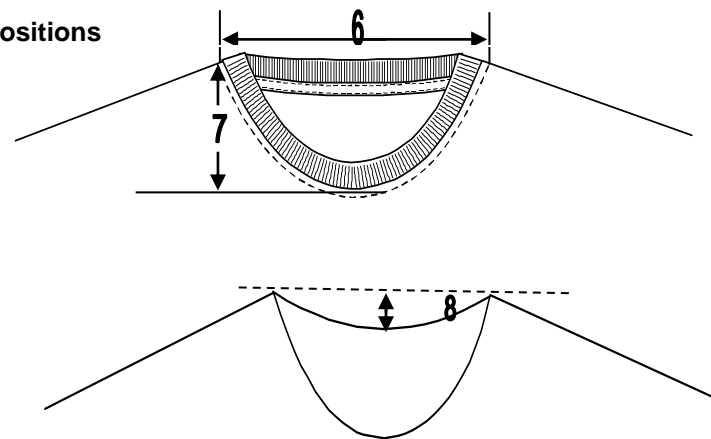
Embroidery thread

	L-865 Pantone 16-4718 Tcx
--	---------------------------------

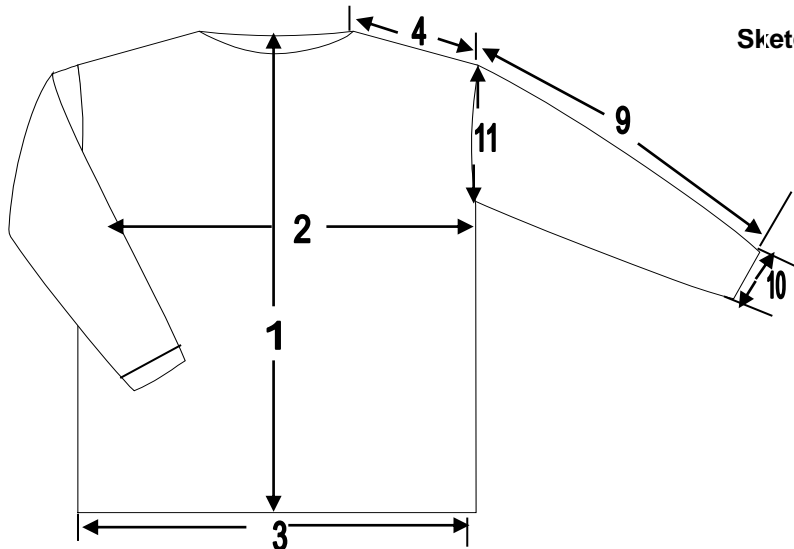
LEMMI		Measurementcharts for Shirt								Season: SPRING 2012		Date: 14.06.2011
		Style: 6300150								P/T No:		
		only for quotation								Variant:		
Size:		80	86	92	98	104	110	116	122			
1.	BACK LENGHT	350	370	390	410	430	455	480	500		Rückenlänge	
2.	1/2 CHEST	335	340	345	355	365	375	385	395		1/2 Oberweite	
3.	1/2 WAIST	335	340	345	355	365	375	385	395		1/2 Bundweite	
4.	1/2 BOTTOMWIDTH	335	340	345	355	365	375	385	395		Schulter	
5.	SHOULDER	95	97	98	99	102	107	111	115		Halsausschnitt	
6.	NECKOPENING	123	125	127	129	131	133	135	137		Halsausschnitt hinten	
7.	NECKDROP FRONT	48	49	50	52	54	55	56	57		Halstiefe vorn	
8.	NECKDROP BACK	26	27	27	28	28	29	29	30		Halstiefe hinten	
9.	SLEEVE LENGHT	111	116	122	127	132	136	141	145		Ärmellänge	
10.	1/2 SLEEVEOPENING	115	120	125	130	135	140	143	146		1/2 Ärmelsaum	
11.	COLLAR WIDTH	315	320	325	335	340	345	350	355		1/2 Armloch	
12.	HIGH COLLAR (BACK)	42	42	44	44	44	44	44	47		Kragenhöhe hinten	
13.	STRING										Kordel	
14.	ZIPPER FRONT										RV - vorn	
15.	MOTIV											
16.	BUTTONS	8+1	8+1	8+1	8+1	8+1	8+1	8+1	8+1		RV - Taschen	
17.												



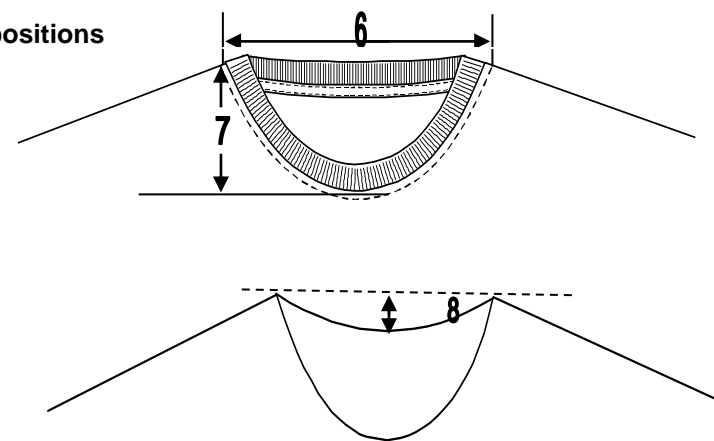
Sketch only for measurement line positions



LEMMI		Measurementcharts for Shirt								Season: SPRING 2012			Date: 14.06.2011
		Style: 6800530								P/T No:			
						only for quotation				Variant:			
Size:	116	122	128	134	140	146	152	158	164	170	176		
1.	BACK LENGHT			525	547	570	592	615	642	670	697	725	Rückenlänge
2.	1/2 CHEST			408	420	433	445	460	475	490	510	530	1/2 Oberweite
3.	1/2 WAIST			398	410	423	435	450	465	480	500	520	1/2 Taille
4.	1/2 BOTTOMWIDTH			398	410	423	435	450	465	480	500	520	1/2 Saumweite
5.	SHOULDER			108	112	116	121	126	130	133	139	145	Schulter
6.	NECKOPENING			110	113	116	119	122	126	130	134	138	Halsausschnitt hinten
7.	NECKDROP FRONT			89	91	92	94	96	98	103	105	107	Halstiefe vorn
8.	NECKDROP BACK			21	21	21	21	22	22	22	22	22	Halstiefe hinten
9.	SLEEVE LENGHT			154	164	174	179	184	189	194	199	204	Ärmellänge
10.	1/2 SLEEVEOPENING			150	152	155	158	161	167	172	178	183	1/2 Ärmelsaum
11.	COLLAR WIDTH			349	356	363	370	380	390	405	415	425	Kraglänge
12.	HIGH COLLAR (BACK)			46	46	47	47	48	48	49	49	49	Kraghöhe hinten
13.	STRING												Kordel
14.	ZIPPER FRONT												RV - vorn
15.	MOTIV												
16.	BUTTONS			10+1	10+1	10+1	10+1	10+1	10+1	12+1	12+1	12+1	Knöpfe
17.													



Sketch only for measurement line positions



Coll.121 - Art.658 col.865 / repeat pattern / original size

- woven check

- **Quality:** *pls. show both qualities to Mr.BL and Mr.PF , they will decide !*

1. art.663 coll.112

2. art.573/290 coll.111

- colors:

