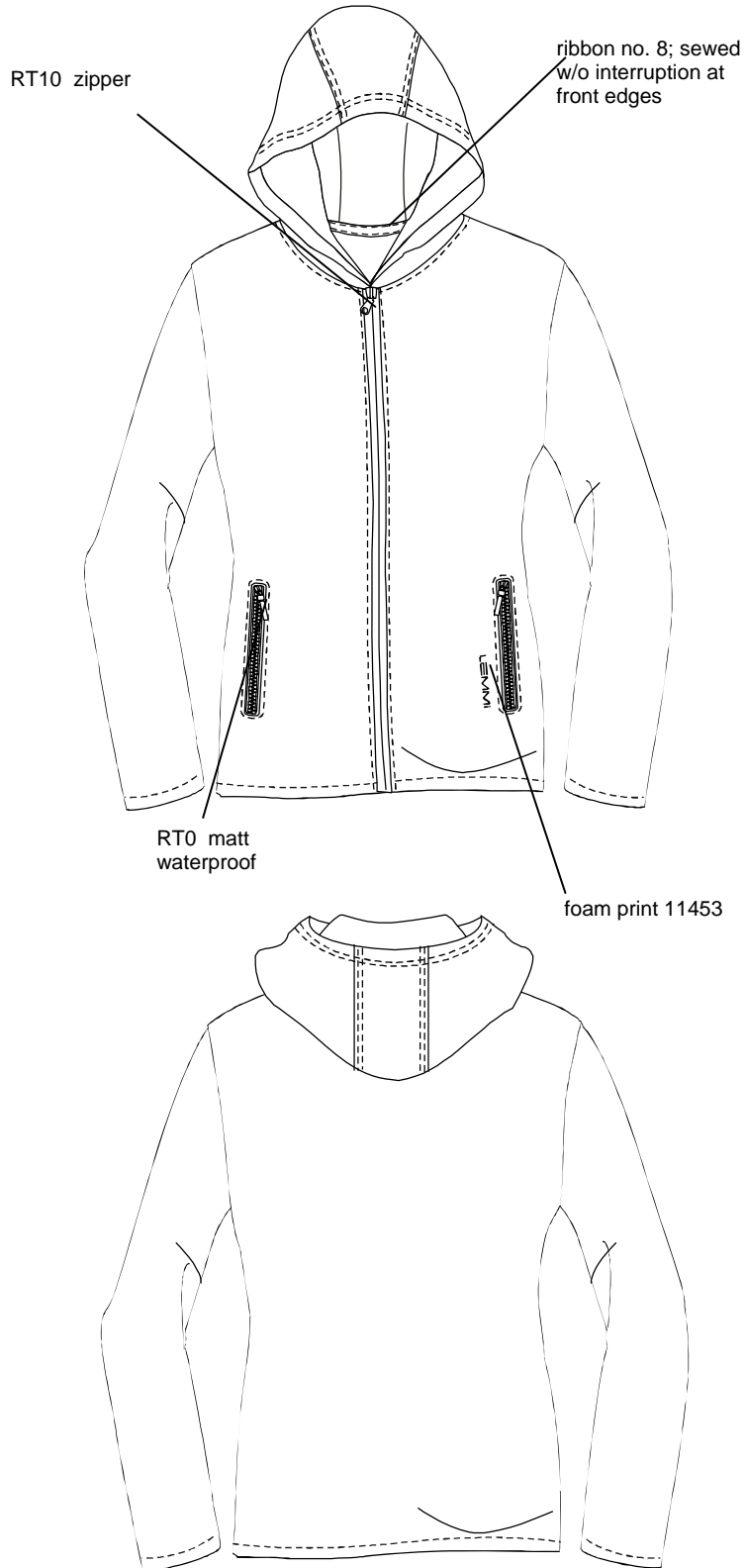


T/S			Season:	<b>Spring 2012 coll. 121</b>	Date:	<b>27.06.2011</b>	Prod. place:	<b>V 3</b>	
Group:	<b>Girls/ Sk girls</b>	<b>softshell jkt.</b>	Treatment	---				Sample size	<b>140-104</b>
Style:	<b>5600100</b>						Size range	<b>128-176</b>	
Style	<b>5100020</b>		Attention:	<b>Softshell Jacket fold up and packed in polybag</b>				Size range	<b>80-122</b>
Art.:	<b>952</b>						Page:	<b>1</b>	



<b>T/S</b>			Season:	<b>Spring 2012 coll. 121</b>	Date:	<b>27.06.2011</b>	Prod. place:	<b>V 3</b>	
Group:	<b>Girls/ Sk girls</b>	<b>softshell jkt.</b>	Treatment	---				Sample size	<b>140-104</b>
Style:	<b>5600100</b>						Size range	<b>128-176</b>	
Style	<b>5100020</b>		Attention:	<b>Softshell Jacket fold up and packed in polybag</b>				Size range	<b>80-122</b>
Art.:	<b>952</b>						Page:	<b>2</b>	


<b>Material:</b>	<b>Art.</b>	<b>Position:</b>	<b>Col.</b>	<b>1</b>	<b>2</b>	<b>3</b>	<b>Quan.</b>
Shell	<b>952</b>	All parts except following trim. parts	L-	<b>865</b>			
trimming 1:							
trimming 2:							
trimming 3:							
Fuselining:		---					
Ribbon fishbone	1cm	to cover front zip. tape + neckhole seam ( w/o interruption at front neckhole edges )	L-	865			
Ribbon:	009	For shoulder seams inside	L-	100			
Motiv: foam print	11453	next to left zip. pkt.	L-	865			1
woven label	no. 12450	inner back body	L-	300			1

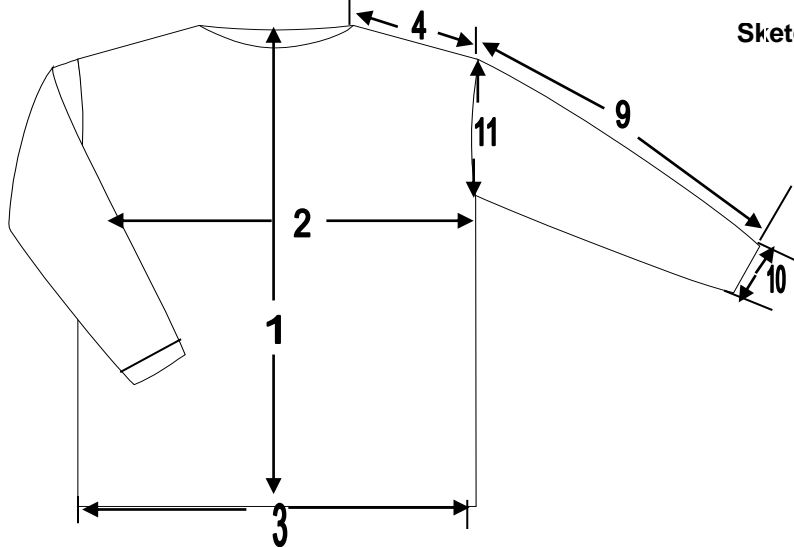
<b>Accessories:</b>	<b>Quality / col.</b>	<b>Position:</b>	<b>Col.</b>	<b>1</b>	<b>2</b>	<b>3</b>	<b>Quan.</b>
Zipper	RT10 open end, almond slider	Front match to shell		YKK col. 548 ( match. to col. L-865)			1
Zipper	RT0 waterproof matt closed end, Normal slider	Front pkts.		YKK col. 548 ( match. to col. L-865)			2
5mm rubberband	---						
3 mm string							
Size label	1 pc.	At back neckhole seam inside	L-	190			1
Woven neckhole label							
<b>RFID-Label</b>	LEMMI	Fixed at size label, RFID-label laying outside at front					1
<b>add. hangtag</b>	<b>BREATHTEX</b>	Fixed w / nylon loop at front zipper slider, hanging outside jkt.					1
Salesman sample hangtag	LEMMI	Fixed at left side seam inside, outside not visible					1
Seaming	402 col. match.						
Oversewing	402 GL col. match		GL	317			
Oversewing partly	402 GL col. match						
Overlocking	col. match.						
bartacks	402 see oversewing						

Washing label LEMMI Fashion <b>Art. 952</b>	Add.: no.2 + no 4 + no 7	washing chlorinate tumbler ironing dry-cleaning  <b>40°      X              X              *              X</b>
---	-----------------------------	---

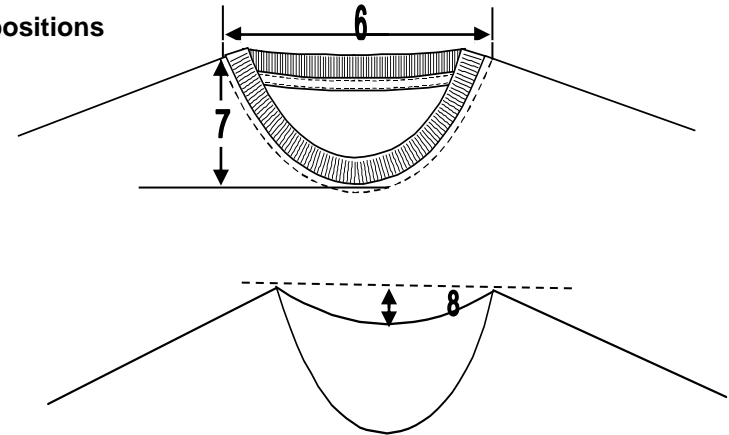
T/S			Season:	<b>Spring 2012 coll. 121</b>	Date:	<b>27.06.2011</b>	Prod. place:	<b>V 3</b>	
Group:	<b>Girls/ Sk girls</b>	<b>softshell jkt.</b>	Treatment	---				Sample size	<b>140-104</b>
Style:	<b>5600100</b>						Size range	<b>128-176</b>	
Style	<b>5100020</b>		Attention:	<b>Softshell Jacket fold up and packed in polybag</b>				Size range	<b>80-122</b>
Art.:	<b>952</b>						Page:	<b>3</b>	



		Measurementcharts for LONGSLEEVE								Season: SPRING 2012			Date: 08.06.2011
		Style: 5600100								P/T No:			5600100
						only for quotation				Variant:			5600100
Size:	116	122	128	134	140	146	152	158	164	170	176		
1. BACK LENGHT	445	465	485	505	525	545	565	585	605	625	645	Rückenlänge	
2. 1/2 CHEST	370	385	395	410	420	430	445	455	470	480	495	1/2 Oberweite	
3. 1/2 BOTTOMWIDTH	370	385	395	410	420	435	445	455	470	480	495	1/2 Bundweite	
4. SHOULDER	80	85	85	90	90	95	95	100	100	105	105	Schulter	
5. NECKHOLE TO STRETCH												Halsausschnitt	
6. NECKOPENING	150	150	155	155	160	160	170	175	180	185	190	Halsausschnitt hinten	
7. NECKDROP FRONT	65	65	65	65	70	70	70	70	75	75	75	Halstiefe vorn	
8. NECKDROP BACK	30	30	30	30	30	30	30	30	30	30	30	Halstiefe hinten	
9. SLEEVE LENGHT	420	440	460	480	500	525	550	575	600	625	650	Ärmellänge	
10. 1/2 SLEEVEOPENING	90	95	95	100	100	105	105	110	110	115	115	1/2 Ärmelbündchen	
11. 1/2 ARMHOLE STRAIGHT	155	160	165	170	175	180	190	195	200	205	210	1/2 Armloch	
12. COLLAR												Kragen	
13. RUBBER												GUMMI	
14. ZIPPER FRONT	400	420	440	455	475	495	515	535	550	570	590	RV - vorn	
15. MOTIV :11453	100%	100%	100%	100%	100%	100%	100%	100%	100%	100%	100%		
16. MOTIV :													



Sketch only for measurement line positions



LEMMI		Measurementcharts for small kids								Season: FALL 2012		Date: 14.06.2011
		Style: 5100020								P/T No:		5100020
		only for quotation								Variant:		5100020
Size:		80	86	92	98	104	110	116	122	128		
1.	BACK LENGHT	350	360	370	380	390	410	425	445	465	Rückenlänge	
2.	1/2 CHEST	325	330	335	340	345	355	365	375	385	1/2 Oberweite	
3.	1/2 BOTTOMWIDTH	325	330	335	340	345	355	365	375	385	1/2 Bundweite	
4.	SHOULDER	60	63	65	70	73	75	77	80	85	Schulter	
5.	NECKHOLE TO STRETCH										Halsausschnitt	
6.	NECKOPENING	115	120	120	125	125	130	130	135	135	Halsausschnitt hinten	
7.	NECKDROP FRONT	60	60	60	65	65	65	70	70	70	Halstiefe vorn	
8.	NECKDROP BACK	25	25	25	25	30	30	30	30	30	Halstiefe hinten	
9.	SLEEVE LENGHT	290	310	330	350	370	390	410	430	450	Ärmellänge	
10.	1/2 SLEEVEOPENING	77	80	85	87	90	95	97	100	105	1/2 Ärmelbündchen	
11.	1/2 ARMHOLE STRAIGHT	130	140	145	147	150	155	160	170	175	1/2 Armloch	
12.	COLLAR										Kragen	
13.	STRING										Kordel	
14.	ZIPPER FRONT	375	385	395	400	410	430	445	465	485	RV - vorn	
15.	MOTIV : 11453	100%	100%	100%	100%	100%	100%	100%	100%	100%		
16.	MOTIV : 12450	100%	100%	100%	100%	100%	100%	100%	100%	100%		
17.												

