

Skirt

Image | Image |Production|2009|Annual
Finished Product

MR4229

Created By: Walter| 04-17-2009
Modified By: Walter| 12-29-2009

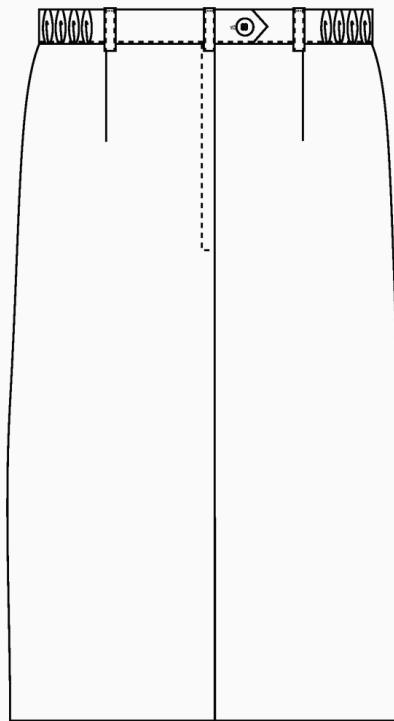
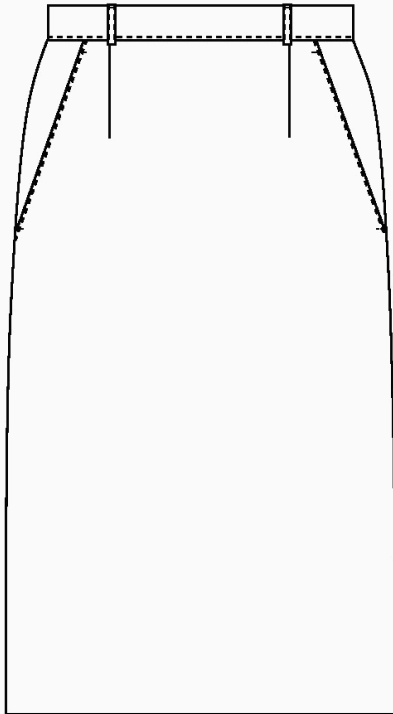


Page Type: Product Summary

Page Name: Product Summary

PG Modified By: Walter| 12-29-2009

Brand	American Airlines	Production Status	Production
Tech Pack Type	Design	Gender/Type	Female
Tech Designer	Leslie Walter	Product Type	Tailored
Sub-Product Type	Skirt	Development #	09-0522MR
Style Based On		Pattern #	VF-4049
Initiating Merchandiser	Caroline Graham	Sector	Services
Size Scale		Fit Chart	LFC-02



Comments

- American Airlines Fully Lined Skirt
- *Elasticized waistband with beltloops
- *Single darted fronts & backs
- *Off-seam front pockets
- *Center back kick pleat
- *Center back button-tab & zipper closure

SkirtImage | Image |Production|2009|Annual
Finished Product**MR4229**Created By: Walterl 04-17-2009 10:09 AM
Modified By: Walterl 12-29-2009 01:51 PM**Page Name:** Components**PG Modified By:**

SEE "AMERICAN AIRLINES VENDOR BOM'S" ON THE VFSR FOR MORE DETAILS	
Component	Qty / Placement
55%/45% poly/wool- navy, fabric code 77070	shell fabric
100% polyester- navy	lining, pocketing
Thread- DTM Body	
Interfacing	
24L 4-hole button- navy	1- outer center back
24L 4-hole button- clear	1- inner center back
Zipper, navy	1- center back
Elastic 1" x 4"	2 pieces at side back
Woven brand label	inner right back
Size tab	inner right back
Care/content label	inner left back
Employee ID tag	inner left back
Polybag	1 per garment
Polybag sticker	see image
Joker ticket	front

Name MR4221cmpnts**Description** skirt

Skirt

Image | Image |Production|2009|Annual
Finished Product

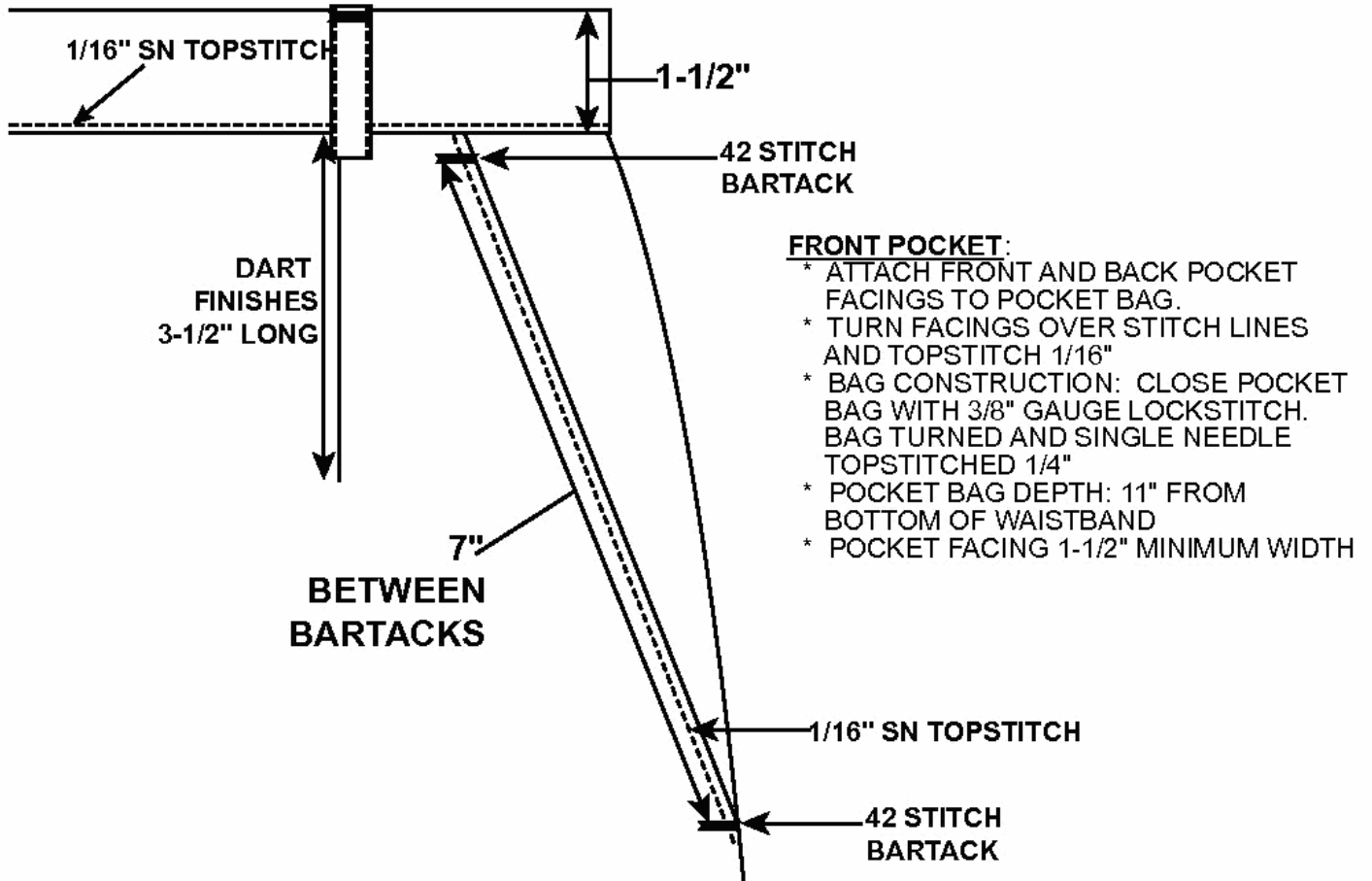
MR4229

Modified By: Walterl 12-29-2009 01:51 PM
Created By: Walterl 04-17-2009 10:09 AM



Page Name: Construction Details

PG Modified By: Walterl 05-08-2009



Name FRTPKT

Description FRONT CALLOUTS

Skirt

Image | Image |Production|2009|Annual
Finished Product

MR4229

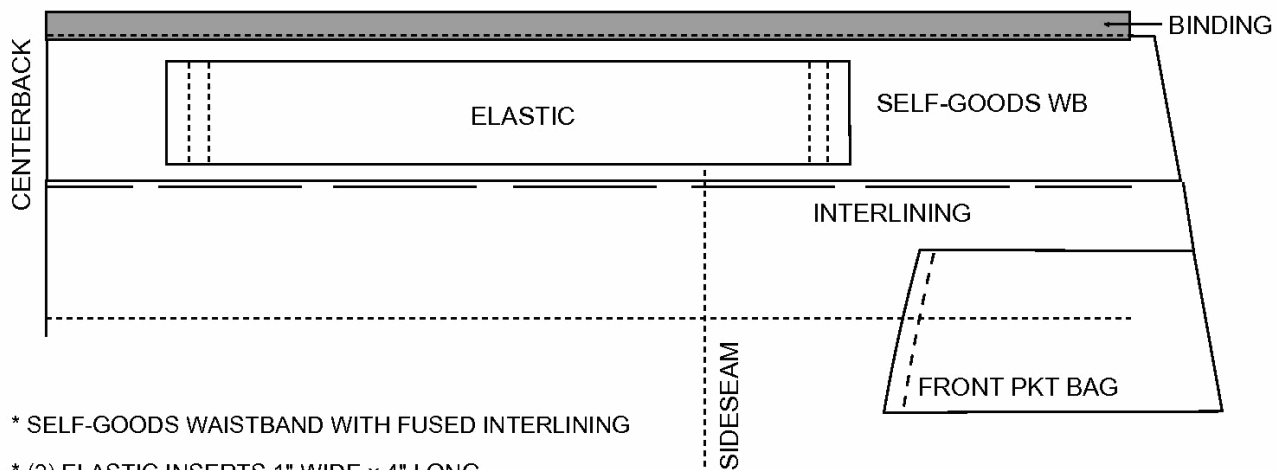
Modified By: Walterl 12-29-2009 01:51 PM
Created By: Walterl 04-17-2009 10:09 AM



Page Name: Construction Details

PG Modified By: Walterl 05-08-2009

INSIDE WAISTBAND



* SELF-GOODS WAISTBAND WITH FUSED INTERLINING

* (2) ELASTIC INSERTS 1" WIDE x 4" LONG

* LOCKSTITCHED TO THE INSIDE OF WAISTBAND
(USE WAISTBAND NOTCHES FOR PLACEMENT)

* PLACE ONE END OF ELASTIC AT NOTCH 1" IN FRONT OF SIDESEAM

* LOCKSTITCH ELASTIC 1/4" FROM CUT END. BACKTACK. LOCKSTITCH
ELASTIC AGAIN 1/2" FROM CUT END. BACKTACK.

* STRETCH ELASTIC TO NOTCH ON THE BACK OF WAISTBAND (5 3/4") AND
LOCKSTITCH 1/4" FROM CUT END. BACKTACK. LOCKSTITCH ELASTIC
AGAIN 1/2" FROM CUT END. BACKTACK

Name WBAND

Description inner view waistband

Skirt

Image | Image | Production | 2009 | Annual
Finished Product

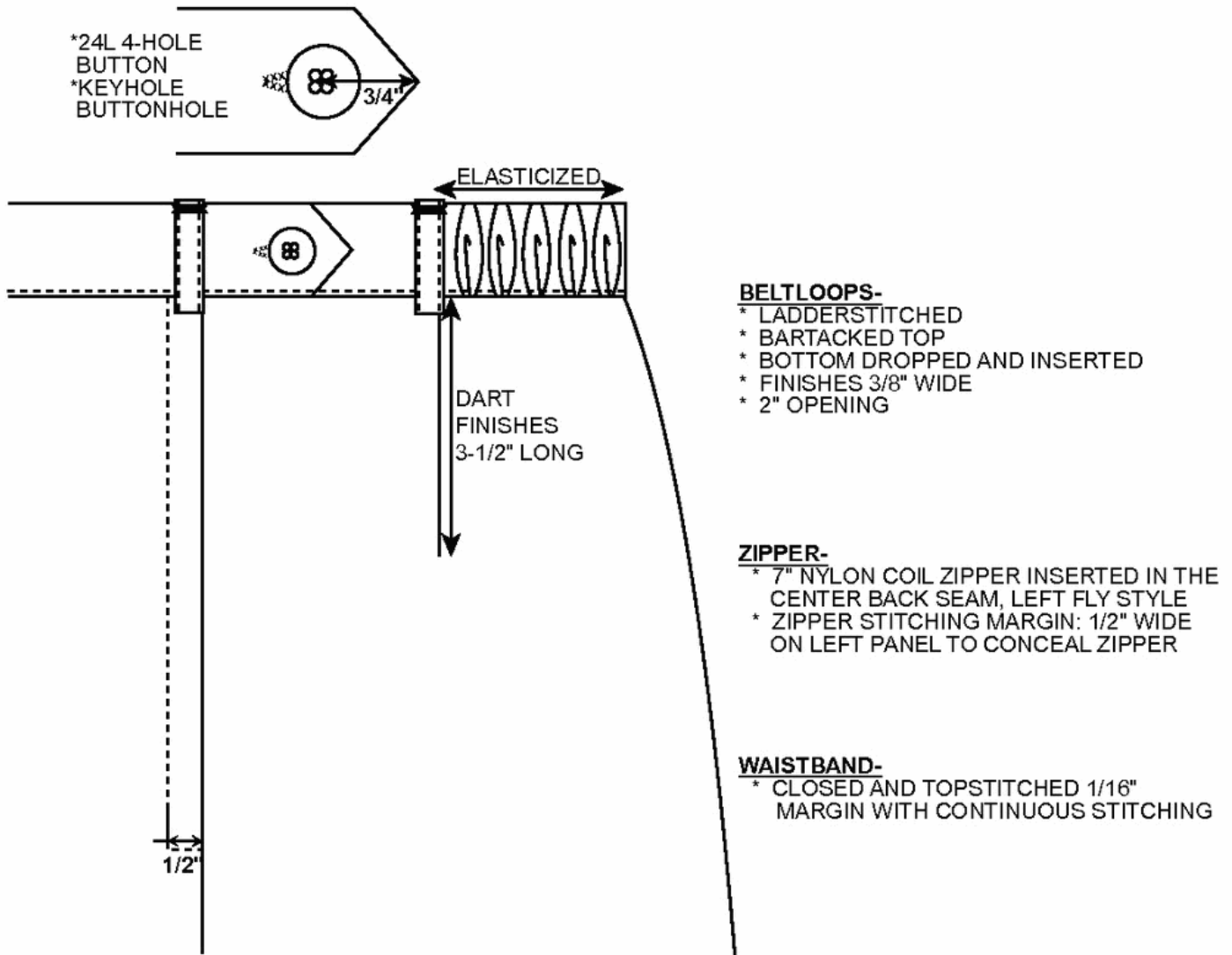
MR4229

Modified By: Walter | 12-29-2009 01:51 PM
Created By: Walter | 04-17-2009 10:09 AM



Page Name: Construction Details

PG Modified By: Walter | 05-08-2009

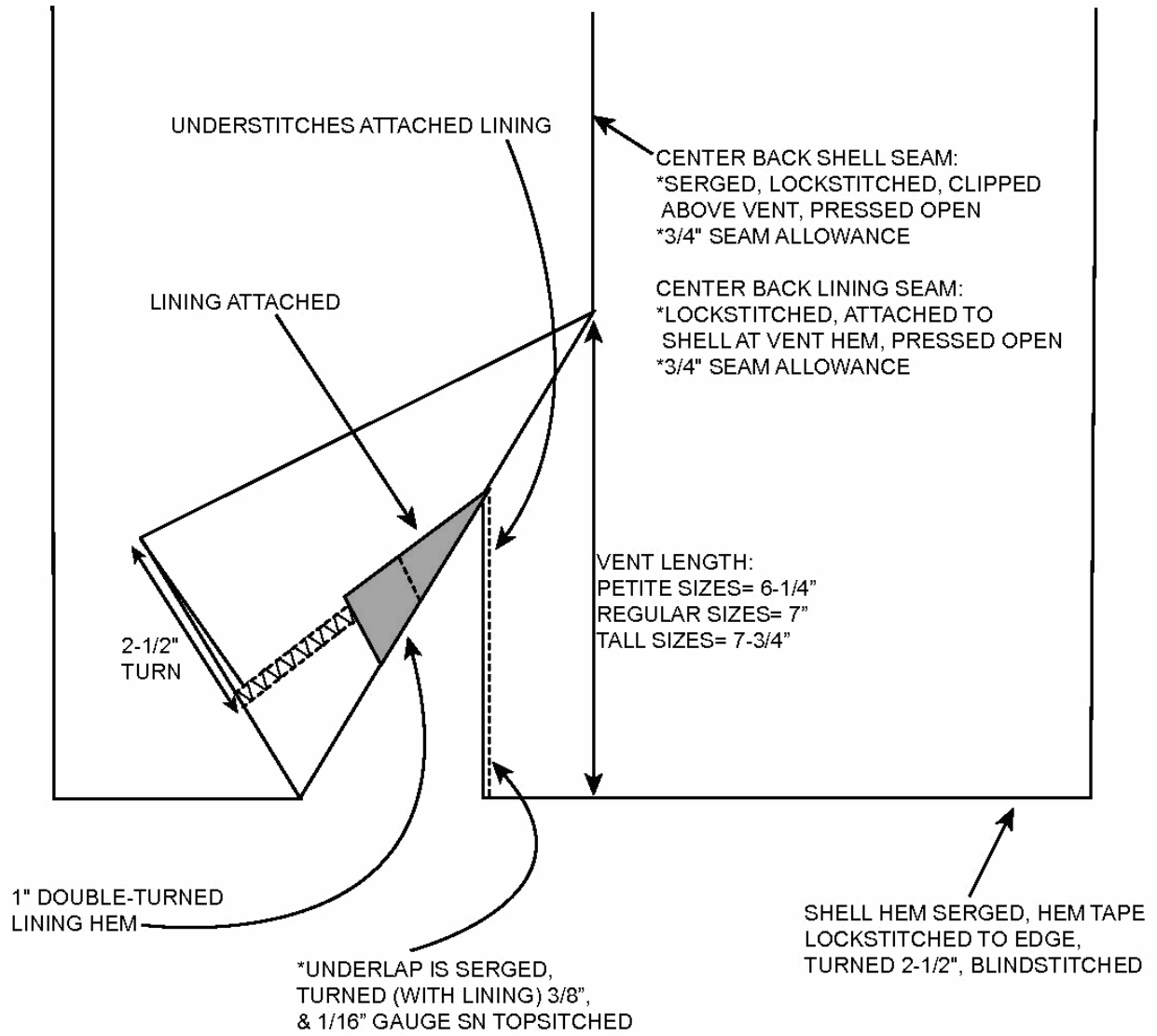


Name BACK

Description back callouts



SKIRT BACK AT HEM



Name skirtvent

Description skirt vent back callouts

Skirt

Image | Image |Production|2009|Annual
Finished Product

MR4229

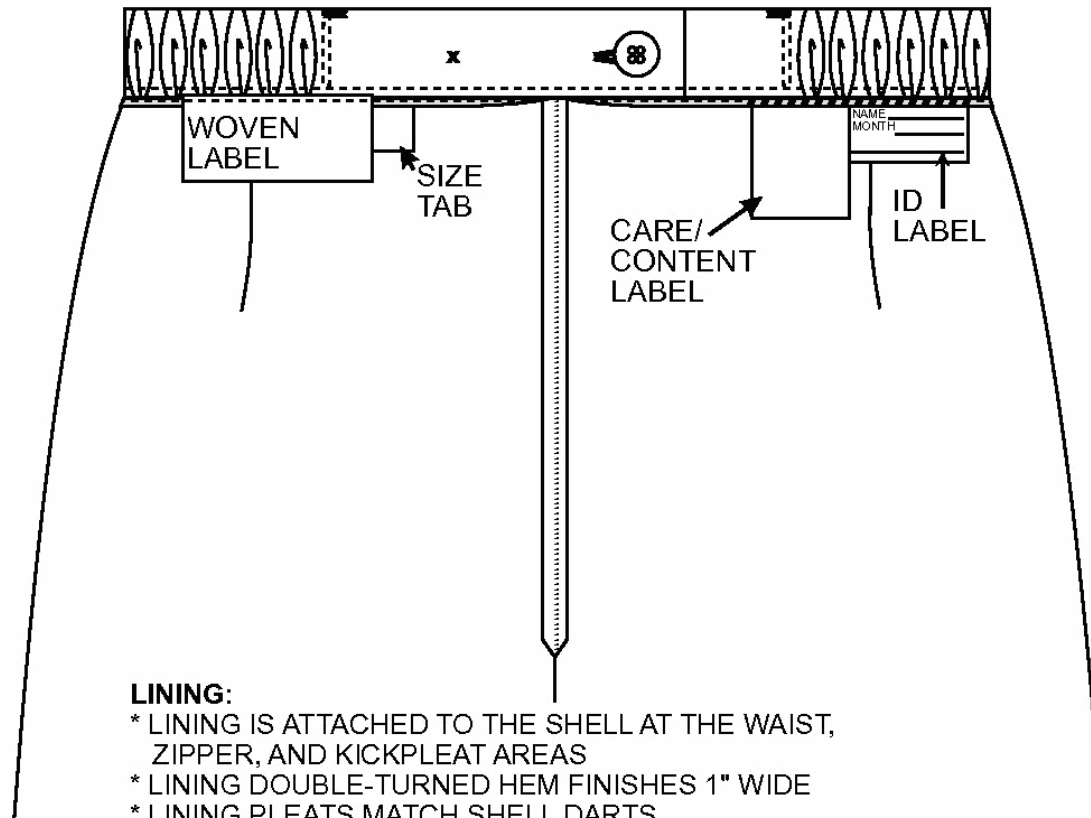
Modified By: Walterl 12-29-2009 01:51 PM
Created By: Walterl 04-17-2009 10:09 AM



Page Name: Construction Details

PG Modified By: Walterl 05-08-2009

INNER BACK VIEW



LINING:

- * LINING IS ATTACHED TO THE SHELL AT THE WAIST, ZIPPER, AND KICKPLEAT AREAS
- * LINING DOUBLE-TURNED HEM FINISHES 1" WIDE
- * LINING PLEATS MATCH SHELL DARTS

LABELS:

- * WOVEN LABEL IS LOCKSTITCHED TO LOWER EDGE OF WAISTBAND CURTAIN OVER EDGE (WEARER'S INNER RIGHT)
- * SIZE TAB IS LOCKSTITCHED TO LOWER EDGE OF WAISTBAND CURTAIN UNDER EDGE (WEARER'S INNER RIGHT)
- * CARE/CONTENT LABEL IS LOCKSTITCHED TO LOWER EDGE OF WAISTBAND CURTAIN UNDER BOUND EDGE (WEARER'S INNER LEFT)
- * WEARER IDENTIFICATION LABEL IS LOCKSTITCHED TO LOWER EDGE OF WAISTBAND UNDER BOUND EDGE (WEARER'S INNER LEFT)

Name INSIDE

Description inner back view

Skirt

Image | Image |Production|2009|Annual
Finished Product

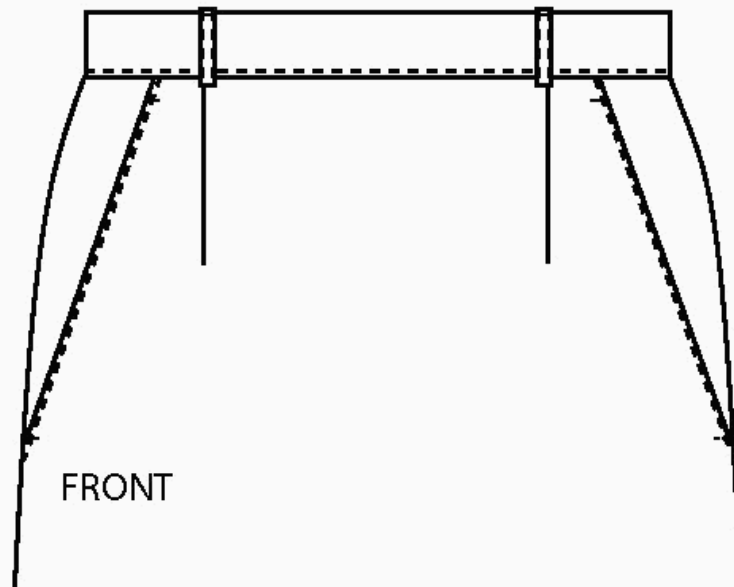
MR4229

Modified By: Walter| 12-29-2009 01:51 PM
Created By: Walter| 04-17-2009 10:09 AM

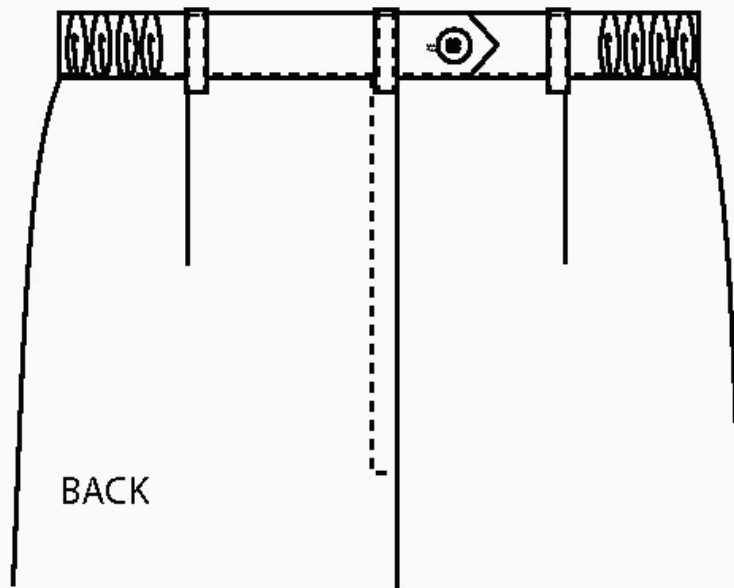


Page Name: Construction Details

PG Modified By: Walter| 05-08-2009



2 BELT LOOPS ON FRONT OF SKIRT AT INSIDE OF DART.
3 BELT LOOPS ON BACK OF SKIRT- 1 AT CB, 2 ON INSIDE OF DART.



Name	Description
LOOP PLACEMENT	BELTLOOP

Skirt

Image | Image |Production|2009|Annual
Finished Product

MR4229

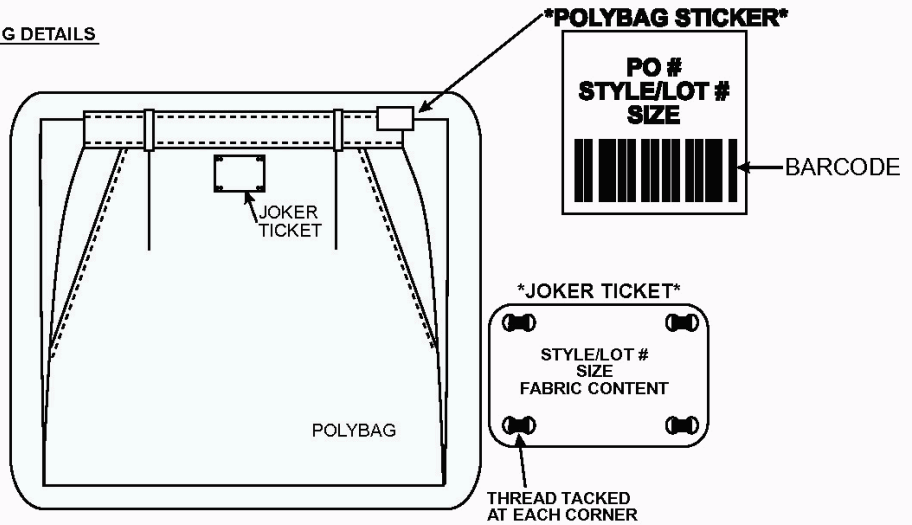
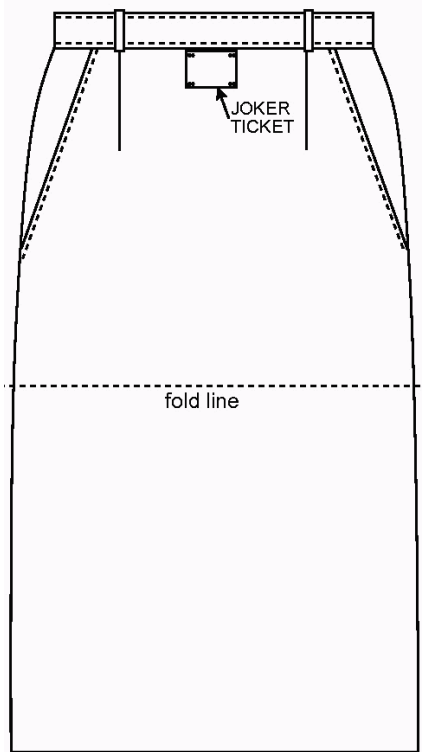
Modified By: Walterl 12-29-2009 01:51 PM
Created By: Walterl 04-17-2009 10:09 AM



Page Name: Finishing and Packing Details

PG Modified By:

SKETCH IS GENERIC: SHOWS FOLDING/PACKING DETAILS



- * FOLD SKIRT CROSSWISE.
- * ONE-PIECE PER POLYBAG.
- * POLYBAG IS .5 M PE POLYBAG- FOLD END AND TAPE CLOSED.

NOTE: POLYBAG SIZE SHOULD BE DETERMINED BY VENDOR, BASED ON FOLDED DIMENSIONS OF PRODUCT. THE IDEAL SIZE POLYBAG WILL NOT ALLOW SHIFTING OF GARMENT WHEN IT IS INSERTED AND THE BAG TAPED.

WARNING STATEMENT IS TO BE PRINTED AT THE BOTTOM OF EACH POLYBAG:
PRINT: "WARNING - TO AVOID DANGER OF SUFFOCATION, KEEP AWAY FROM BABIES AND CHILDREN. DO NOT USE IN CRIBS, BEDS, CARRIAGES, OR PLAYPENS. THIS BAG IS NOT A TOY"

Name foldskirt

Description fold skirt polybag

Skirt

Image | Image |Production|2009|Annual
Finished Product

MR4229

Modified By: Walterl 12-29-2009 01:51 PM
Created By: Walterl 04-17-2009 10:09 AM

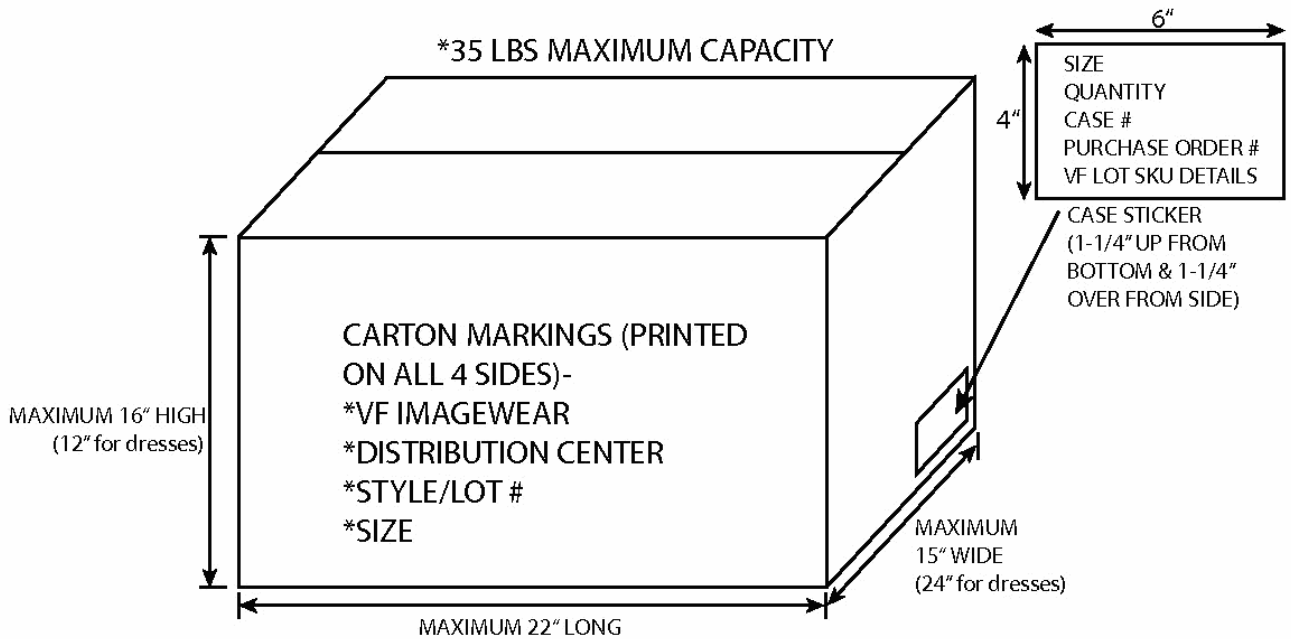


Page Name: Finishing and Packing Details

PG Modified By:

SHIPPING INSTRUCTIONS-

- *ADVANCE SHIPPING NOTICE (ASN) MUST BE FAXED TO THE DISTRIBUTION CENTER RECEIVING DEPARTMENT. USE THE ASN FORM PROVIDED.
- * SHIP FIRST QUALITY ONLY. QUANTITY MUST BE THE EXACT AMOUNT/ORDER
- *PACK FLAT IN BOX, ONE SKU PER BOX
- *THERE SHOULD BE A PACKING LIST LISTING EACH CARTON NUMBER, VF LOT NUMBER, SIZE, & QUANTITY
- *THE PACKING LIST SHOULD BE ON THE FIRST OR THE LAST BOX
- *IF THE PACKING LIST IS PLACED INSIDE THE BOX THERE SHOULD BE A "PACKING LIST ENCLOSED" STICKER
- *THE BOX CONTENTS LABEL/CASE STICKER SHOULD BE PLACED ON THE END OF THE BOX
- *THE LABEL SHOULD HAVE THE PO#, VF LOT #, SIZE, AND QUANTITY
- *THE LABEL SHOULD ALSO CONTAIN THE CARTON # (FOR EXAMPLE: 5 OF 200)



Name CTNINFO

Description CTNINFO

Skirt

Image | Image |Production|2009|Annual
Finished Product

MR4229

Created By: Walterl 04-17-2009 10:09 AM
Modified By: Walterl 12-29-2009 01:51 PM



PG Name: Label Details

PG Modified By:



Name E1970 VF Imagewear L **Description** E1970 VF Imagewear Label

Skirt

Image | Image |Production|2009|Annual
Finished Product

MR4229

Created By: Walterl 04-17-2009 10:09 AM
Modified By: Walterl 12-29-2009 01:51 PM



PG Name: Label Details

PG Modified By:

Printed Front

Printed Back for wool
garments, poly/wool
garments, poly tops,
& lined poly garments

Printed Back for
unlined poly bottoms

Style: XXXXX

MADE IN XXXXX

CONTENT: ___% xxxxxxxx
___% XXXXXX

SIZE: XXXXXX

FOR CARE SEE REVERSE

VF IMAGEWEAR INC.
PO BOX 140995
NASHVILLE, TN 37214

DRY CLEAN ONLY.
LAVAR EN SECO SOLAMENTE.

PO #
EXIT DATE

MACHINE WASH COLD,
GENTLE CYCLE WITH
LIKE COLORS. NO
BLEACH. LINE DRY. COOL
IRON IF NECESSARY

LAVAR A MAQUINA EN AGUA
FRIA, CICLO DELICADO CON
COLORES SIMILARES.
HACER SECAR COLGADO.
PLANCHA TIBIA, SI ES
NECESARIO. NO USAR
BLANQUEADOR.

PO #
EXIT DATE

*ALSO LIST LINING CONTENT IF APPLICABLE

EAM02

Name EAM02pcl

Description care/content label

Skirt

Image | Image | Production|2009|Annual
Finished Product

MR4229

Created By: Walterl 04-17-2009 10:09:40

Modified By:



Page Type: Measurement Specification

Page Name: VF-4049 122809

PGModified By: WILLIDO 04-21-2011 04:10 PM

Finished

POM	Description Variation	0	2	4	6	8	10	[12]	14	16	18	20
WWE02	Waist-Extended w/ Elastic	29	30	31	32	33	34	35 1/2	37	38 1/2	40 1/2	42 1/2
WWW02	Waist- Relaxed w/ Elastic	25	26	27	28	29	30	31 1/2	33	34 1/2	36 1/2	38 1/2
HSW01	Seat at ____" down from top of waistband	39 1/4	40 1/4	41 1/4	42 1/4	43 1/4	44 1/4	45 3/4	47 1/4	48 3/4	50 3/4	52 3/4
RRB02	Skirt Center Back Length Bottom of Band PT	21 1/2	21 5/8	21 7/8	22	22 1/4	22 1/2	22 5/8	22 7/8	23	23 1/8	23 3/8
RRB02	Skirt Center Back Length Bottom of Band RG	22 1/2	22 5/8	22 7/8	23	23 1/4	23 1/2	23 5/8	23 7/8	24	24 1/8	24 3/8
RRB02	Skirt Center Back Length Bottom of Band TL	24	24 1/8	24 3/8	24 1/2	24 3/4	25	25 1/8	25 3/8	25 1/2	25 5/8	25 7/8
POM	Description Variation	22	24	26								
WWE02	Waist-Extended w/ Elastic	44 1/2	46 1/2	48 1/2								
WWW02	Waist- Relaxed w/ Elastic	40 1/2	42 1/2	44 1/2								
HSW01	Seat at ____" down from top of waistband	54 3/4	56 3/4	58 3/4								
RRB02	Skirt Center Back Length Bottom of Band PT	23 1/2	23 3/4	23 7/8								
RRB02	Skirt Center Back Length Bottom of Band RG	24 1/2	24 3/4	24 7/8								
RRB02	Skirt Center Back Length Bottom of Band TL	26	26 1/4	26 3/8								

Remarks :

SPEC DATE 12/28/9 REPLACES SPEC DATE NEW REASON FOR CHANGE like VF-4008 with a larger waist spec and same hip spec

Page Comments:

LSKTGRD01

Skirt MR4229Image | Image |Production|2009|Annual
Finished ProductCreated By:Walterl 04-17-2009 10:09
Modified By: Walterl 12-29-2009 01:51 PM

No.	Date	User Id	Change Log
1	4/26/2011 12:29:47PM	Walterl	per Donna/patterns- added meas spec page
2	12/29/2009 1:51:19PM	Walterl	per Judy/patterns- fit chart from LFC-03 to LFC-02 & pattern # from DV09-0522 to VF-4049
3	12/10/2009 9:34:38AM	Walterl	Stage of Development changed to Production from Development
4	12/10/2009 9:34:30AM	Walterl	rename from 09-0522MR/lot set up complete
5	12/2/2009 2:28:37PM	Walterl	approved for lot set up per Caroline
6	5/26/2009 10:26:50AM	Walterl	per Caroline's 5/21/09 SCA for MR4221 (linked)- updated components page: added "woven" to brand label, added navy zipper, added "outer & "navy" to outer CB button
7	5/8/2009 3:01:05PM	Walterl	per JSS sample audit- beltloops from "edgestitched" to "ladderstitched", added beltloop placement image
8	4/17/2009 10:11:21AM	Walterl	per Caroline- built per MR4221; pattern # from VF-4008 to DV09-0522